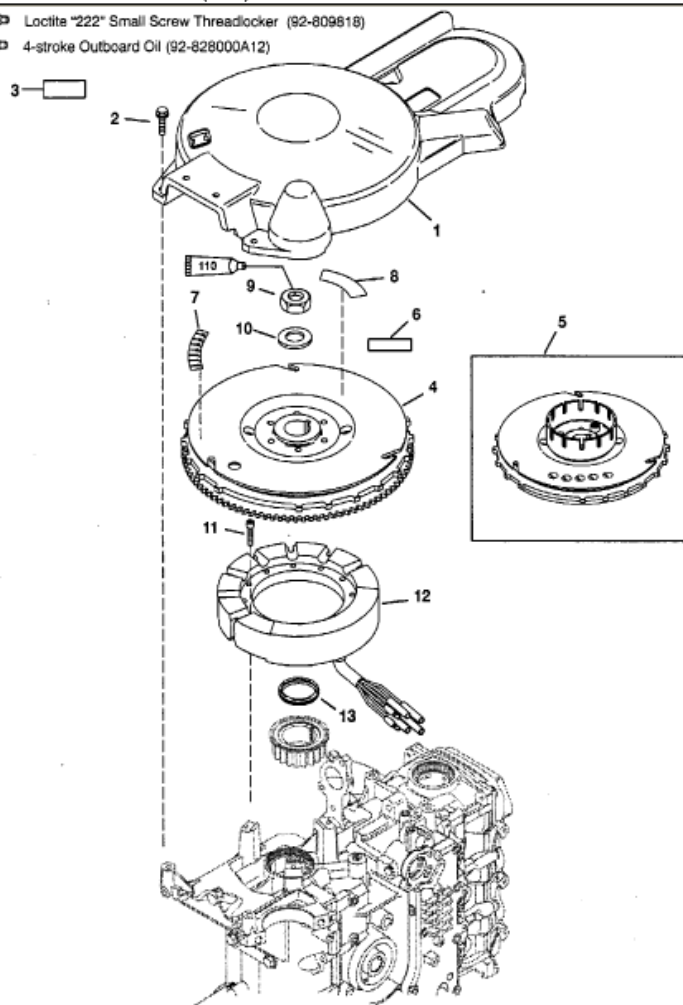


85 Locite "222" Small Screw Threadlocker (92-809618)

110 4-stroke Outboard Oil (92-828000A12)



9152

Parts List

Ref	Class	Part	Description	Qty	Comment	Footnote
1		855223	FLYWHEEL COVER	1	(ELECTRIC)	
2	10	824832	SCREW, (M6 x 25)	4	(ELECTRIC)	
3	37	856985A22	DECAL-EPA INFO	1	(ELECTRIC)(1999)	22
3	37	804654A00	DECAL-EPA INFO	1	(ELECTRIC)(2000)	22
3	37	804654A01	DECAL-EPA INFO	1	(ELECTRIC)(2001)	22
4	284	832010T14	FLYWHEEL	1	(ELECTRIC)	
5	284	832010T16	FLYWHEEL	1	(MANUAL)	
6		NSS	NOT SOLD SEPARATE, Decal-Wa	1		
7		NSS	NOT SOLD SEPARATE, Decal-Tir	1		
8		NSS	NOT SOLD SEPARATE, Decal-Wa	1		
9	11	81773M	NUT	1		
10	12	84436M	WASHER	1		
11	10	40073 25	SCREW, (M5 x 25)	3	SN# 0G960499 & Below	
11	10	40073 25	SCREW, (M5 x 25)	3	(Manual) SN# 0G960500 & Up	
11	10	40139 30	SCREW, (M5 x 30)	3	(Electric) SN# 0G960500 & Up	
12	398	852387T 7	STATOR	1	(Electric) SN# 0G960500 & Up	
12	398	852386T 6	STATOR	1	(Manual) SN# 0G960500 & Up	
12	398	852387A 4	STATOR	1	(Electric) SN# 0G960499 & Below	
12	398	852386A 4	STATOR	1	(Manual) SN# 0G960499 & Below	
13		834838	LOAD RING	1		